

Lavatory Faucet

SPECIFICATIONS

Standard Features

- Compression Stems
- Cast Brass Body
- 4" Centerset
- 2.0 gpm @ 60 psi Flow-Down Aerator
- Leo-Lever Metal Handle

Codes / Standards

Briggs / Sayco Faucets are designed and manufactured to comply with the following requirements:

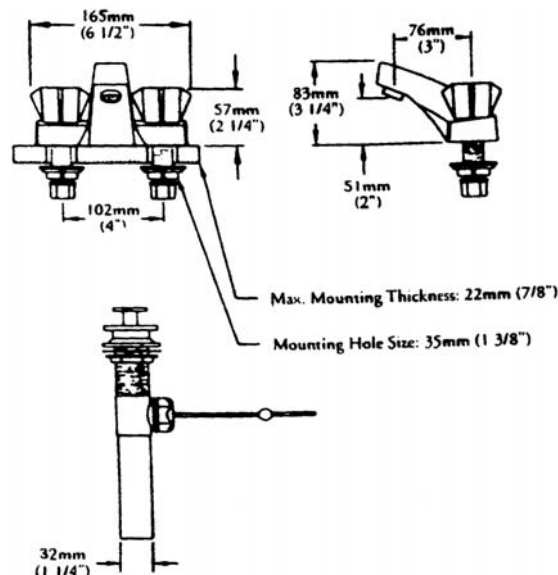
- ANSI A112.18.M
- ANSI A117.1 (ADA – Lever Handle Models)
- ASSE 1025
- CSA B125
- NSF 61

Specified Model Number

400LL



Features	400LL	402LL
1/2" IPS Male Inlet Connectors	X	X
Chrome Finish	X	X
Metal Cover	X	X
Less Pop-Up	X	
With 50/50 pop up drain		X



Lavatory Faucet

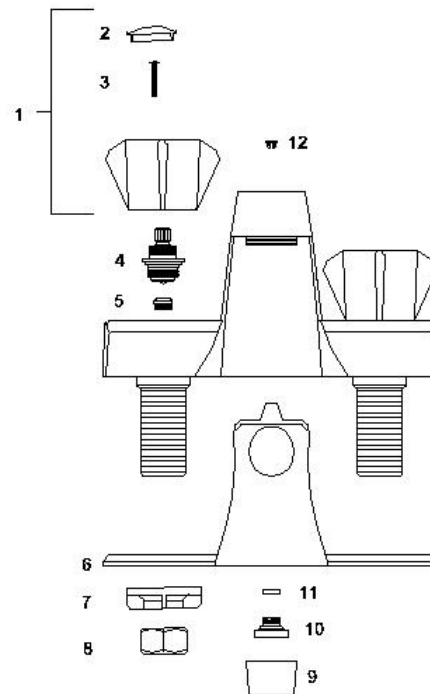
ILLUSTRATED PARTS

Model Number(s)

400LL

402LL

#	PART	DESCRIPTION
1	P737H	HANDLE ASSY (HOT)
	P737C	HANDLE ASSY (COLD)
	HK8	LEO-LEVER HANDLE KIT (2)
2	F191H	BUTTON (HOT)
	F191C	BUTTON (COLD)
3	F055	SCREW
4	P068 (R)	COMPRESSION CARTRIDGE
	P069 (L)	COMPRESSION CARTRIDGE
5	A003EP	SEAT
6	E016GR	UNDERSIDE PLATE GRAY
7	D020P	PLASTIC NUT
8	D018	COUPLING NUT
9	D009	AERATOR
10	D005EP	AERATOR ADAPTOR
11	D006	O-RING
12	E009	PLUG



NOTE: See Accessories Section For Additional Handle Options at www.briggsindustries.com