

The Altima™



Design | Technology | Innovation

 BRIGGS®



FEATURES

- Stylish tank design
- Thetford loop trapway design
- Stain-resistant vitreous china
- Anti-siphon ballcock
- Integral rim jets
- Wide 2" trapway
- Sanitary bar on bowl for ease of cleaning
- Color-matched trip levers
- Generous 5-year warranty

AVAILABLE COLORS



WHITE (130)




BISCUIT (235)



BONE (733)

SPECIFICATIONS

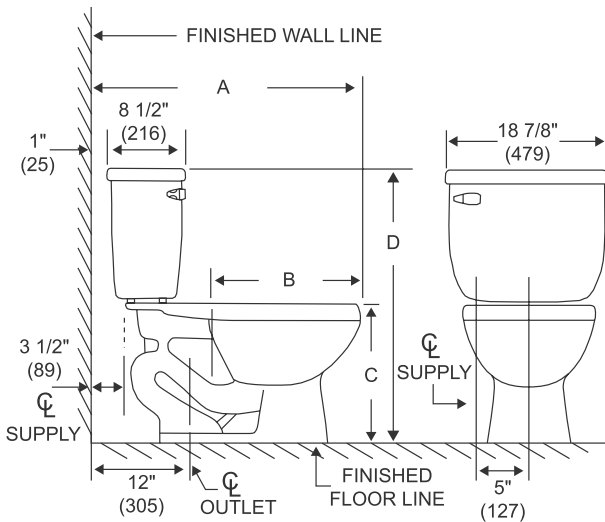
- Model 4232: 12" rough-in round toilet, 79 lb, consists of bowl (Model 4320) and tank (Model 4430)
- Model 4233: 12" rough-in elongated toilet, 81 lb, consists of bowl (Model 4325) and tank (Model 4430)
- Model 4234: 12" rough-in elongated ComfortFit ADA toilet, 83 lb, consists of bowl (Model 4328) and tank (Model 4430) 
- Model 7469: Tank lid for Models 4430/4433/4438

OPTIONS

- Model 4431: 12" rough-in tank and lid w/lid lock, 34 lb
- Model 4432: 12" rough-in tank and lid w/right-hand lever, 34 lb
- Model 4433: 12" rough-in insulated tank and lid, 34 lb
- Model 4434: 10" rough-in tank and lid, 30 lb
- Model 4435: 14" rough-in tank and lid, 35 lb
- Model 4438: 12" rough-in tank and lid w/Fluidmaster®, 34 lb

INSTALLATION

- Installation instructions supplied
- Quick-connect system for easy tank-to-bowl installation



	4232	4233	4234
A	28-1/2" (724)	30-1/2" (775)	30-1/2" (775)
B	16-1/2" (419)	18-1/2" (470)	18-1/2" (470)
C	14-3/4" (375)	14-3/4" (375)	17" (432)
D	28-3/4" (730)	28-3/4" (730)	31" (787)

Dimensions may vary (+) or (-) 1/4". Dimensions shown in parentheses are in millimeters: 25.4 mm = 1 inch. Note: Fixture dimensions are nominal and conform with dimension and performance requirements of ASME/ANSI Standards A112.19.2M. Dimensions subject to change or cancellation without notice. Briggs is not responsible for the use of superseded or voided specification information.