

The Carlton™





FEATURES

- Floor-mounted flush valve toilet
- Stain-resistant vitreous china
- Siphon-jet flushing action
- 1-1/2" top inlet spud
- Wide 2" trapway
- Integral rim jets for cleaner bowl
- Flush valve sold separately
- 19" x 9-1/2" footprint
- Generous 5-year warranty

AVAILABLE COLOR



WHITE (130)

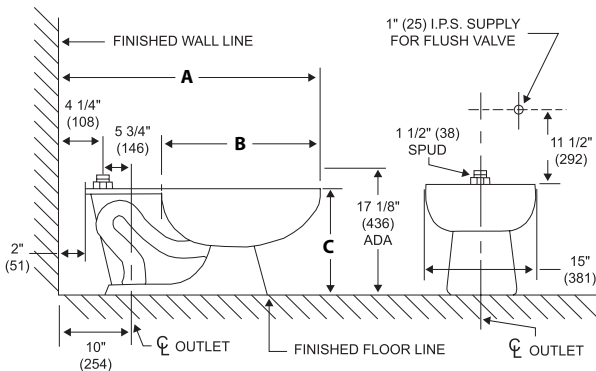
SPECIFICATIONS

- Model 7714: 10" rough-in elongated floor-mounted toilet, 45 lb
- Model 7790: 10" rough-in elongated ADA floor-mounted toilet, 58 lb



INSTALLATION

- Installation instructions supplied



	7714	7790
A	27-1/2" (699)	27-1/2" (699)
B	18-1/2" (470)	18-1/2" (470)
C	14-1/2" (368)	17-1/8" (435)

Dimensions may vary (+) or (-) 1/4". Dimensions shown in parentheses are in millimeters: 25.4 mm = 1 inch. Note: Fixture dimensions are nominal and conform with dimension and performance requirements of ASME/ANSI Standards A11.2.19.2M. Dimensions subject to change or cancellation without notice. Briggs is not responsible for the use of superseded or voided specification information.