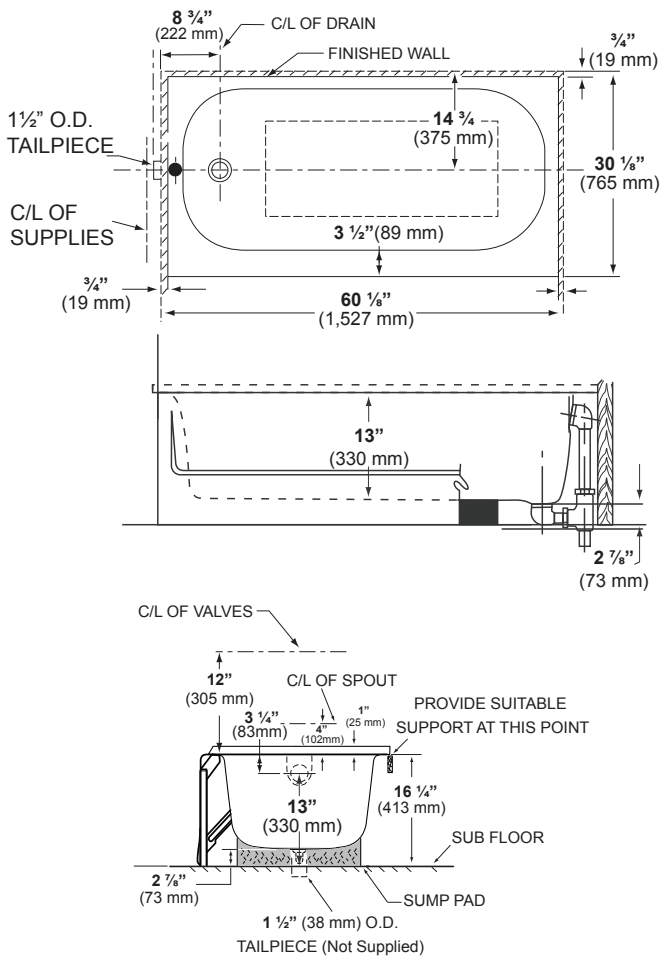


# The Pendant V AFR™



 BRIGGS®



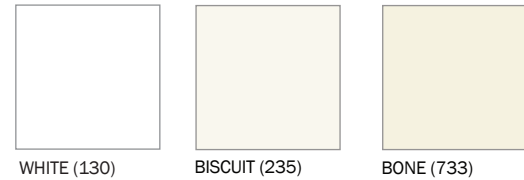
Dimensions may vary (+) or (-) 1/4". Dimensions shown in parentheses are in millimeters: 25.4 mm = 1 inch.  
Note: Fixture dimensions are nominal and conform with dimension and performance requirements of ASME/ANSI standards A112.19.1-2008 / CSA B45.2-08. Dimension subject to change or cancellation without notice. Briggs is not responsible for the use of superseded or voided specification information.



## FEATURES

- Porcelain-enameled steel
- Durabrace® diagonal brace
- Continuous tile flange with rounded, watertight corners to keep water in
- Foam bottom support pad that provides sound deadening
- Available as slip-resistant
- ADA Compliant
- One-year warranty

## AVAILABLE COLORS\*



\* Models 2516 and 2517 only available in white and bone.

## SPECIFICATIONS

- Model 2516: Above floor rough-in, plain bottom bathtub with right-hand outlet, 86 lbs
- Model 2517: Above floor rough-in, plain bottom bathtub with left-hand outlet, 86 lbs
- Model 2518: Above floor rough-in, slip-resistant bottom bathtub with right-hand outlet, 86 lbs
- Model 2519: Above floor rough-in, slip-resistant bottom bathtub with left-hand outlet, 86 lbs

## INSTALLATION

- Installation instructions supplied
- True above-floor installation
- Plumber note: Provide stringer or other wall support to brace the deck where it meets the wall



(800) 888-4458

www.briggsindustries.com